

191,664

TRUCK

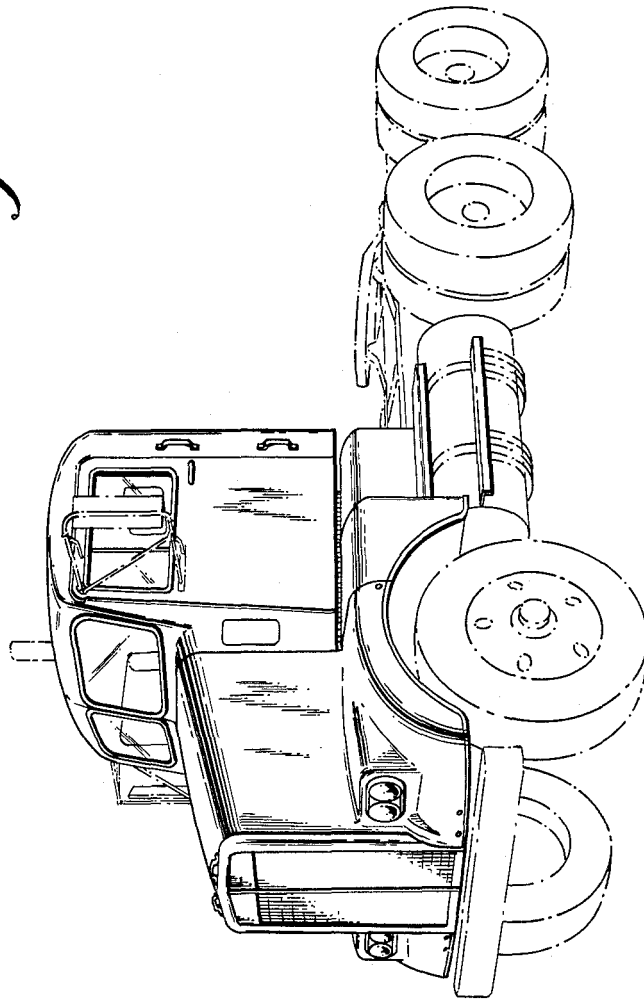
Wallace M. Brown, Seattle, Wash., assignor to Pacific
Car and Foundry Company, Seattle, Wash., a corpora-
tion of Washington

Filed Nov. 16, 1960, Ser. No. 62,866

Term of patent 14 years

(Cl. D14-3)

Fig. 1



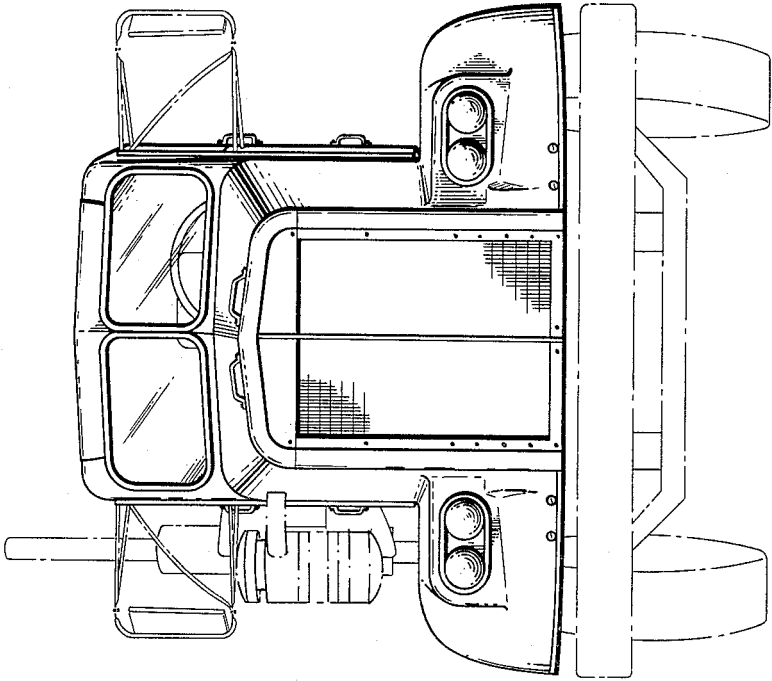


Fig. 2

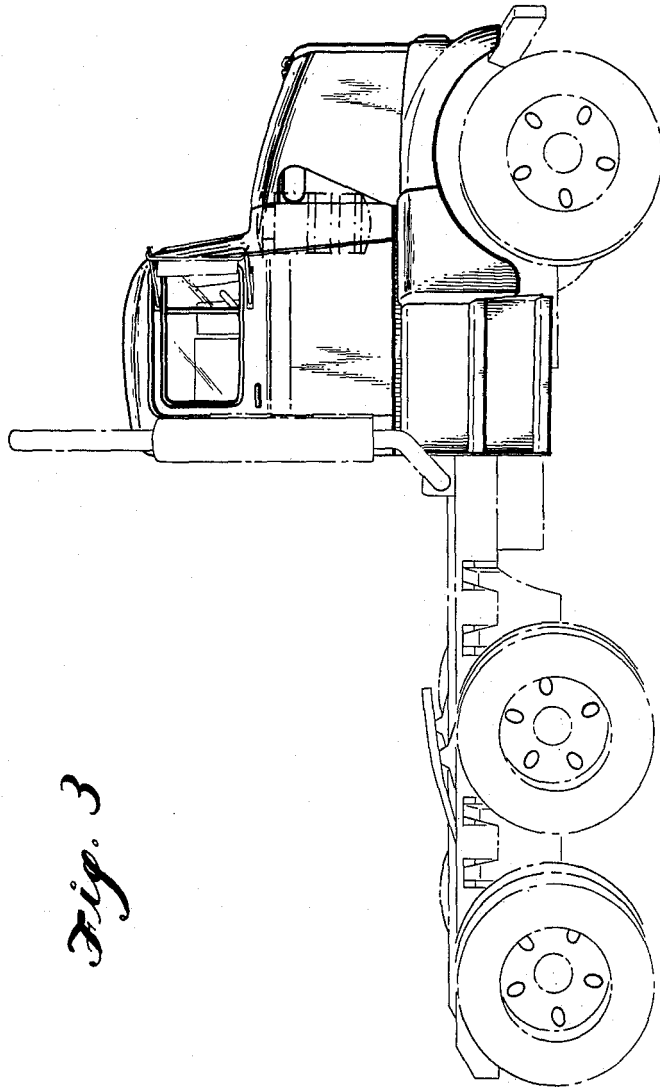


Fig. 3

FIGURE 1 is a perspective view of a truck taken from the front and left side, embodying my new design.

FIG. 2 is a front elevational view thereof; and

FIG. 3 is a right-side elevational view thereof.

The dominant features of my design reside in the portions shown in full lines.

I claim:

The ornamental design for a truck, as shown and described.

References Cited in the file of this patent

Automotive News, April 6, 1959, page 37, White light-weight tractor.

Commercial Car Journal, December 1959, page 172, 90—in BBC truck, bottom of page.

Automotive News, May 2, 1960, page 51, Dodge truck.